

The decorative, sophisticated design of the CL-13 enhance the appearance of any location. It is available in 3 different sizes and multiple finishes. CL-13 is commonly installed in Exterior- Locations such as: Hotels, Restaurants, Public Transportations facilities, and other Commercial Areas.

-10year or 10,000 Hour Limited Warranty

Features:

- Driver 120/277, 0-10v Dimming Driver.
- UL listed for damp and wet locations
- Kelvin: 30K, 40K or 50K
- High efficacent Lumined LED`s

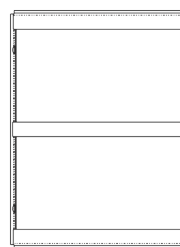
Construction

- Housing is aluminum Heavy Gauge material
- Frosted Acrylic Lens (Standard)
- Multiple Finishes to choose (See Ordering Guide)

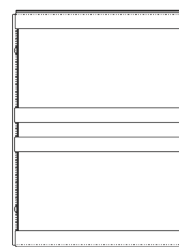
Strap Design



SD-0



SD-A



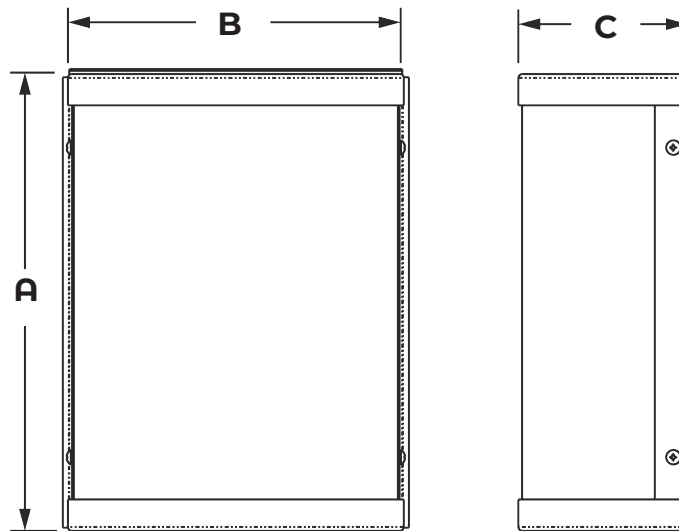
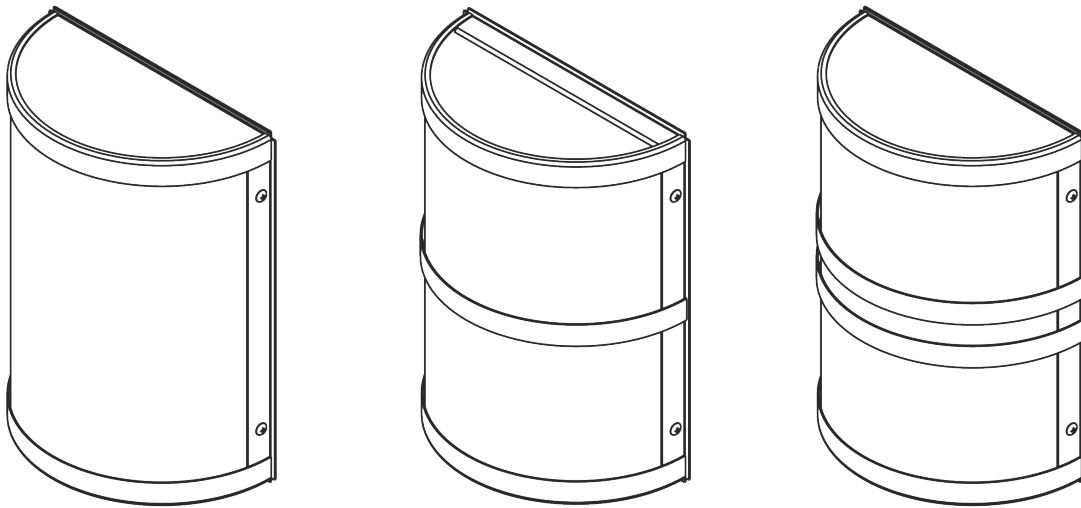
SD-B

Note: For other strap options contact Factory



Example: CL-2086-S-SD0-10CLEd-30K-MV-BLK-WM-PC

Cat #	Strap Design	Distribution	Wattage	Color Temp.	Voltage	Finish	Mounting	Options
CL-13 S (CL-13-S)	Strap Design-0 (SD0)	Down Light (DL)	5W (5CLEd)	3000K (30K)	120-277V (MV)	Matte Black (MBLK)	Wall Mount (WM)	Button Photocell (PC)
-----	Strap Design-A (SDA)	Up/Down Light (UDL)	10W (10CLEd)	4000K (40K)		Glossy Black (GBLK)		Emergency Batt. Pack (EMR)
CL-13 M (CL-13-M)	Strap Design-B (SDB)		20W (20CLEd)	5000K (50K)		Texture Black (TBLK)		Frosted Acrylic Lens (Standard) (FAL)
			-----			Texture White (TWHT)		
CL-13 L (CL-13-L)			30W (30CLEd)			Silver (SLR)		Opal Acrylic Lens (OAL)
			25W (25CLEd)			Bronze (BRZ)		
			40W (40CLEd)		Graphite (GPH)			



Dimensions			
Cat#	A	B	C
CL-13-S	10"	7" 1/2	4"
CL-13-M	12"	9"	4"
CL-13-L	16"	11"	5"

Cat #	Input Power	Lumen Output	LPW	Color Temp. (CCT)	CRI	Rated Life (L70)	Input Voltage
CL-13-S-5CLED	10W	918	183	5000K	70+	>200,000	120-277V
CL-13-S-10CLED	15W	1,914	191	5000K	70+	>200,000	120-277V
CL-13-S-15CLED	20W	2754	183	5000K	70+	>200,000	120-277V
CL-13-S/m-20CLED	25W	2,935	146	5000K	70+	>200,000	120-277V
CL-13-m/L-30CLED	35W	4842	161	5000K	70+	>200,000	120-277V
CL-13-m/L-35CLED	40W	5320	152	5000K	70+	>200,000	120-277V
CL-13-m/L-40CLED	45W	6252	156	5000K	70+	>200,000	120-277V

Proudly Manufactured and Assembled in the USA