



New Edge™ LED High Bay

120W~600W

FEATURES

- System Light Efficacy 160~165 LPW
- Ultra Bright, Up to 96,000Lm
- Flexible, Modular Design
- Multiple Choice of Optical Lenses
- Easy Installation & Maintenance
- Five Years Warranty
- IP66

TYPICAL APPLICATIONS

- Warehouse/Manufacturing Facilities
- Convention Centers/Sporting Arenas
- Big-Box Retail Stores
- Cold Storage Facilities
- Gymnasiums

SPECIFICATIONS

PERFORMANCE

LED Chip	Philips Lumileds
Color Temperature	4500~5500K (2500~5500K Optional)
CRI	≥70
Lumen Maintenance	L70>150,000 Hours (Calculated Using Tm-21 Calculator)
Input Voltage	100-277 VAC (347/480 VAC Optional) Dimming Optional
Power Factor	0.95 Minimum
IP Rating	IP66

ENVIRONMENTAL

Operating Temperature	-30 to 50°C (-22 to 122°F)
Storing Temperature	-40 to 80°C (-40 to 176°F)
Humidity	15% to 95% RH






PHYSICAL

Fixture Material	Aluminum Alloy
------------------	----------------

WARRANTY

5 Years

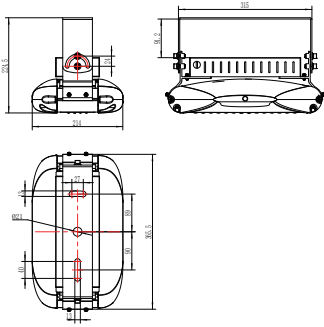
■ Specifications

Picture	Part#	Power	NO. of Modules	Efficacy(IES)	Total Lumen	N.W	Product Dimensions
	EL-NED-120(HB)	120W	1	160LPW	19,200lm	5.4kg/11.9lbs	221x366x145mm 8.7x14.4x5.7in
	EL-NED-200(HB)	200W	2	165LPW	33,000lm	6.5kg/14.3lbs	308x366x145mm 12.1x14.4x5.7in
	EL-NED-300(HB)	300W	3	165LPW	49,500lm	7.5kg/16.5lbs	402x366x145mm 15.8x14.4x5.7in
	EL-NED-400(HB)	400W	4	165LPW	66,000lm	7.9kg/17.4lbs	496x366x145mm 19.5x14.4x5.7in
	EL-NED-600(HB)	600W	5	160LPW	96,000lm	12.5kg/27.6lbs	590x366x145mm 23.2x14.4x5.7in

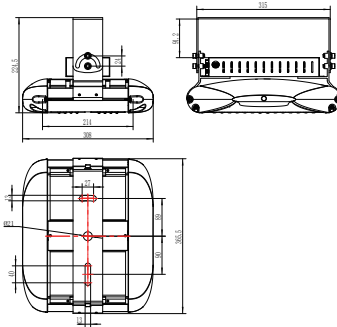


■ Product Dimensions

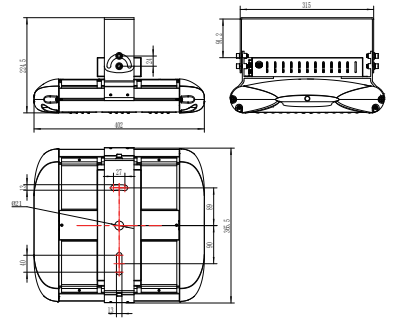
120W



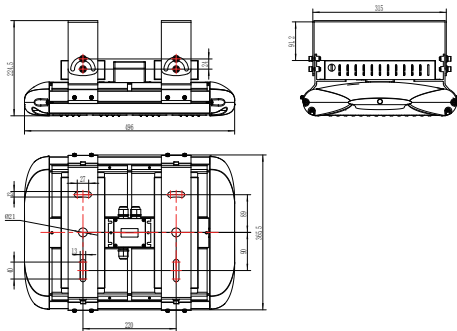
200W



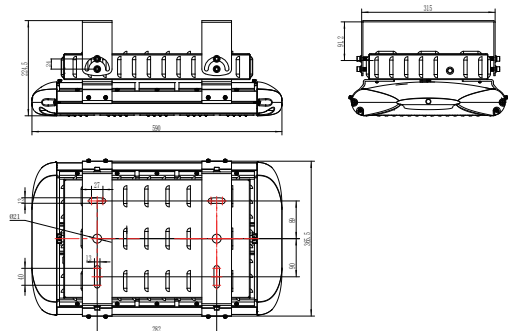
300W



400W

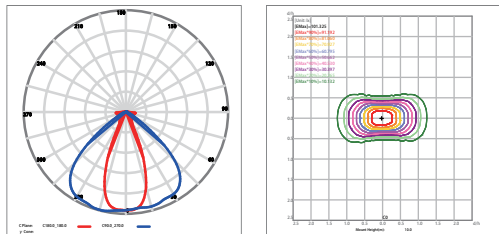


600W

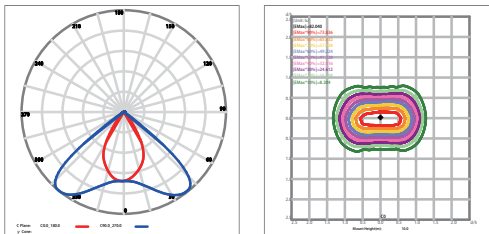


■ Photometrics

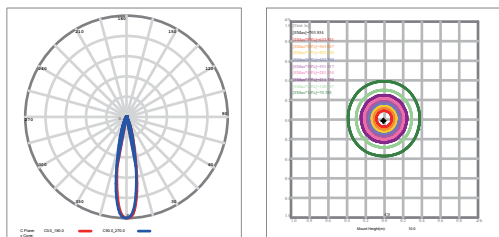
40×100°



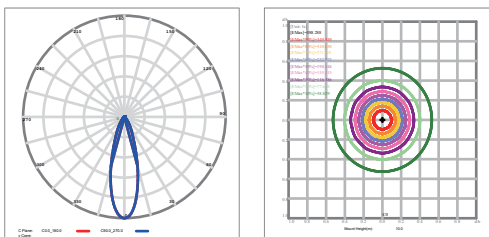
60×100°



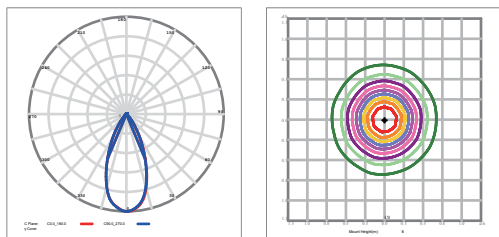
22°



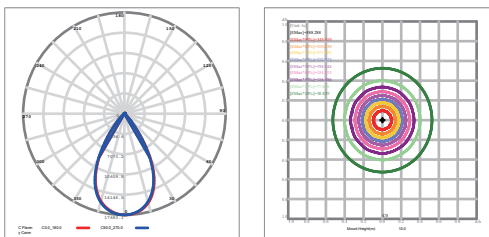
30°



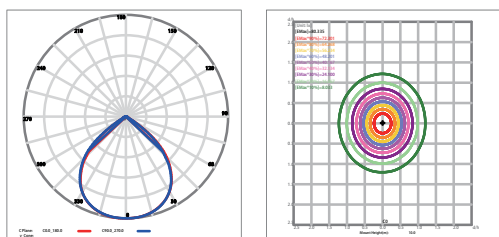
45°



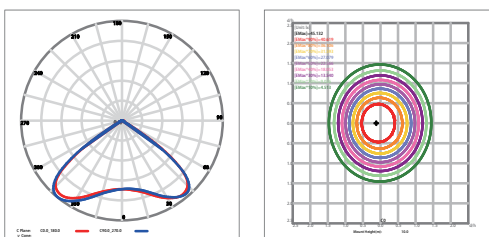
60°



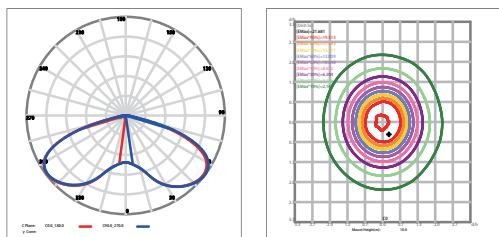
90°




110°



150°



■ **Mounting Options & Accessories**

Image	Applicable Power	Product Code	Product Description
	120W~600W	SP-HR20	Hang Ring
	120W~600W	SP-BS	Universal Bracket(Standard)



■ **Ordering Information** (Standard)

