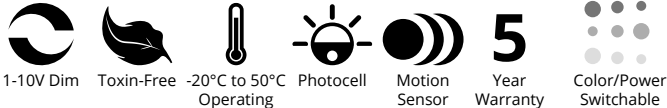


ECRT Duo Troffer

Indoor



The DUO Switchable troffer provides a low profile, low glare lighting solution that's more aesthetically pleasing for environments that require a warmer yet professional presentation. It includes two DIP switches to easily and reliably adjust CCT and lumens. The fixture can be used for general office lighting, providing suitable light without any of the maintenance issues associated with fluorescent tubes. 3 CCT options and 3 lumen package options can save more on inventory cost.



| Luminaire | Color and Lumen Switchable Solo Troffer | Type |
|-----------|---|------|
| Project | | |
| Product | | |
| Notes | | |

Features

- Field-adjustable light output with 3 discrete steps
- White Tunable with 3 discrete steps
- Emergency backup unit and occupancy sensor available



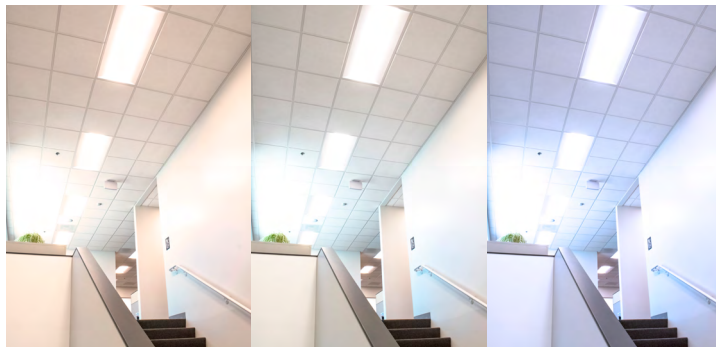
Order Format

Sample: ECRT22T-30W-01

| Series | Model | Wattage | CCT | Voltage |
|------------------|---------------------------------|-----------------------------|------------------------------|----------------|
| Duo Troffer=ECRT | 22T=2'x2' CCT& Lumen Switchable | 30W= 20W/25W/30W Switchable | 01=3500/4000/5000 Switchable | Blank=100-277V |
| | 24T=2'x4' CCT& Lumen Switchable | 34W= 25W/30W/34W Switchable | | |

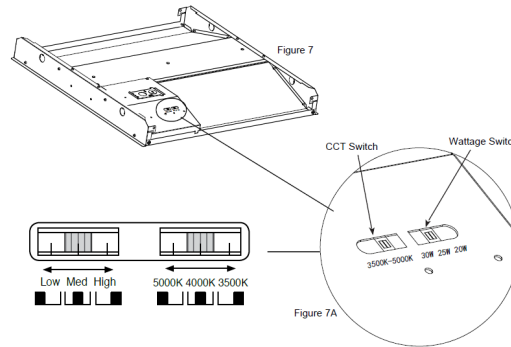
Application

The DUO troffer can be recessed in any standard sized grid ceiling. In non-grid type ceilings, the fixture may be installed via surface mount. This sleek, versatile fixture is ideal for indoor environments where presentations and visual comfort are at a premium. Retail outlets, corporate offices, indoor galleries, and other high end installations use DUO troffer to great effect.



Construction

The DUO Troffer's discreet, low-profile frame is fitted from sheet metal, and uses a polycarbonate lens. The frosted diffuser is used to enhance consistency of light distribution. The slim design allows for versatile placement of the luminaire, even when recessed mounting is not available. The fixture is coated with a proprietary paint blend and designed for dimensional consistency.



Electrical

Long-life LEDs, coupled with high-efficiency drivers, provide superior quantity and quality of illumination for extended service life. The efficacy is up to 134 LM/W. L70 Calculated Life is over 100,000 hours. Standard input is 120-277V.

Certifications

- DLC Premium V5.0
- UL
- CE
- RoHS
- Title 24

| | |
|----------------------------|---------------------------|
| Input Voltage (VAC) | 120-277, 50/60 Hz |
| CRI | 80 |
| CCT(K) | 3500/4000/5000 Switchable |
| PF | .9 |
| THD | 20% |
| L70 | 100,000+ |
| Warranty | 5 Years |

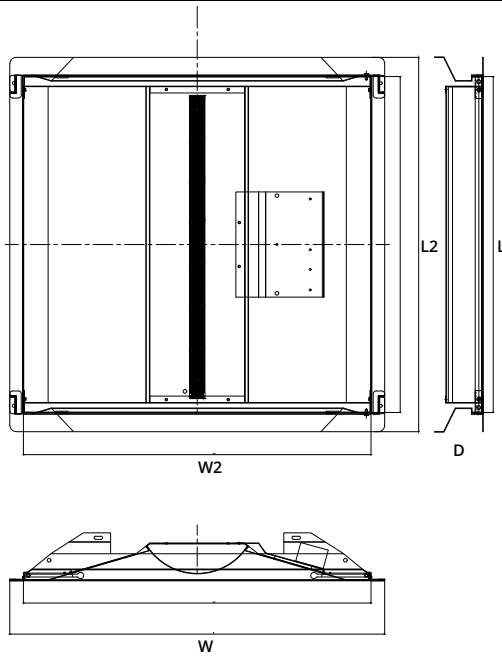
*L70 data is calculated based on LM80 and ISMT reports

Lumen Data

| Size | Part Number | Wattage (W) | 3500K | | 4000K | | 5000K | |
|------|----------------|-------------|-----------------|-------------|-----------------|-------------|-----------------|-------------|
| | | | Efficacy (Lm/W) | Lumens (Lm) | Efficacy (Lm/W) | Lumens (Lm) | Efficacy (Lm/W) | Lumens (Lm) |
| 2x2 | ECRT22T-30W-01 | 30W | 125 | 3750 | 127 | 3810 | 126 | 3780 |
| | | 25W | 132 | 3300 | 134 | 3350 | 133 | 3325 |
| | | 20W | 130 | 2600 | 132 | 2640 | 131 | 2620 |
| 2x4 | ECRT24T-34W-01 | 34W | 125 | 4250 | 127 | 4318 | 126 | 4284 |
| | | 30W | 132 | 3960 | 134 | 4020 | 133 | 3990 |
| | | 25W | 130 | 3250 | 132 | 3300 | 131 | 3275 |

Dimension

30W

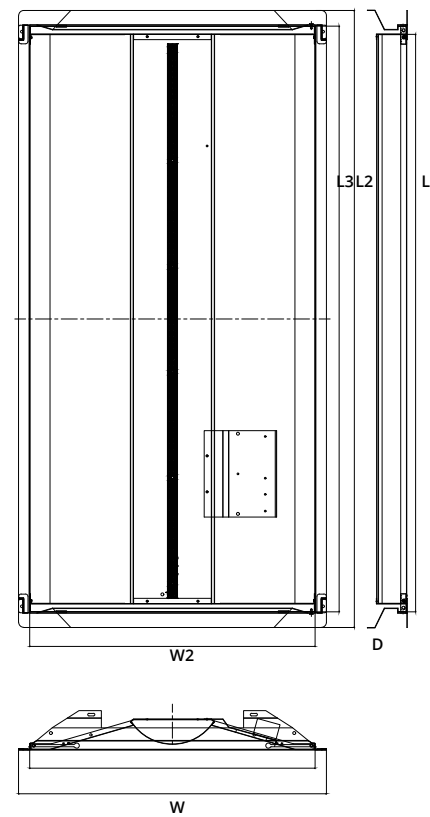


| Part No. | Length (L) | Length (L2) | Width (W) | Width (W2) | Depth (D) |
|----------|------------|-------------|-----------|------------|-----------|
| ECRT22T | 21.37 | 23.81 | 23.85 | 22.13 | 2.76 |

Recorded in inches

Dimension

34W

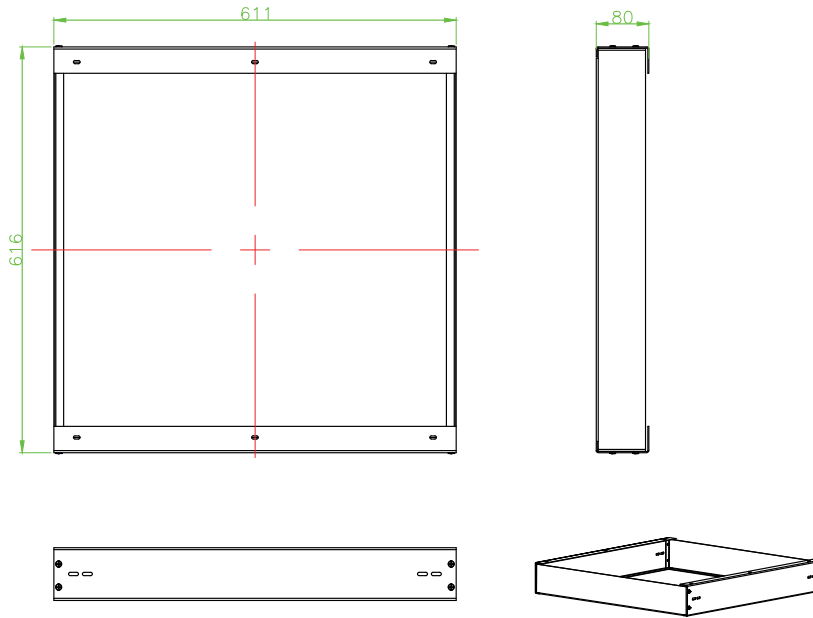


| Part No. | Length (L) | Length (L2) | Length (L3) | Width (W) | Width (W2) | Depth (D) |
|----------|------------|-------------|-------------|-----------|------------|-----------|
| ECRT24T | 44.76 | 47.83 | 45.39 | 23.85 | 22.12 | 2.76 |

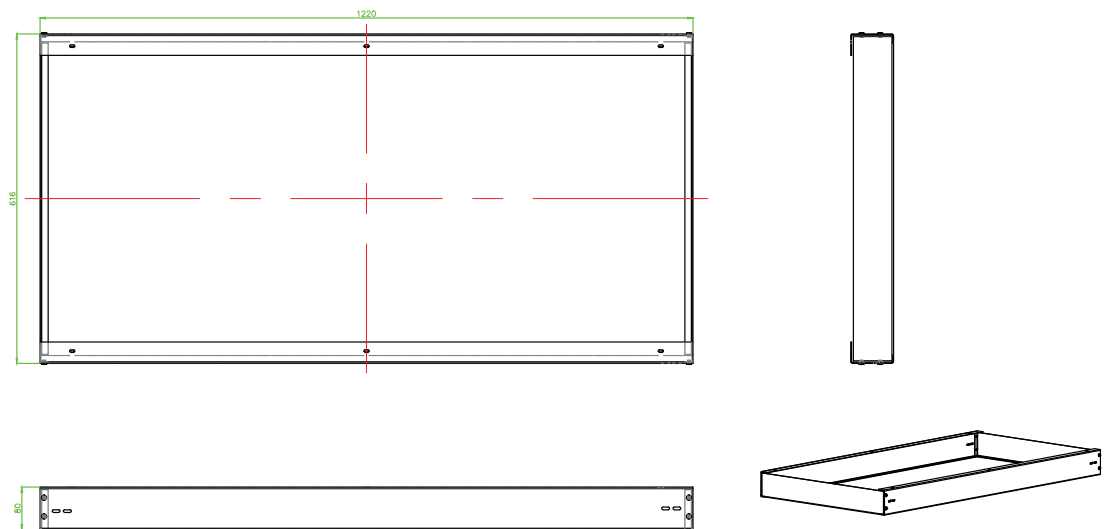
Recorded in inches

Accessories

2x2 SMK
CLMB0-0600A0-RS



2x4 SMK
HAC-CLMB0-0612A0-RS



Electrical Accessories



WP-08U-48-EA
Emergency Driver
[online download](#)



Descriptions

Protects against short-circuits, open-circuits, and over-load.



Motion
Sensor

BRI810-B-F
Bi-level and Daylight
Harvest Sensor
[online download](#)



BRI810-B-F is a moving object sensor that can detect range of 360° and its working frequency is 5.8GHz. The advantage of this product is stable working state (stable working temperature: -40°C+70°C), BRI810-B-F adopts a microwave sensor (high-frequency output < 0.2mW), so that it is safe and performs better than infrared sensor.

***only for factory
installation**

ANT-4
Passive Infrared
Occupancy Bi Level
Sensor



Provides daylight harvest control. 10-28Vdc power and controls 0-10VDC LED drivers or dimming ballasts. All parameters adjustable via dip switch.

RF
Wireless System
[online download](#)



Includes:

1. Power Pack 0-10V dimming module: which controls load according to radio frequency (RF) command sending from sensor or dimmer.
2. Wireless PIR occupancy / vacancy sensor: which detect people movement to see if the space is occupied, then send wireless command to dimming module to control the light on/off/dim automatically.
3. Wireless daylight harvest sensor: which measure light in the space, then wirelessly transmits the light level to the associated dimming module that automatically control the lights to balance light level in the space.
4. Wireless Dimmer: which can be used to manually turn on/off and dim lights.